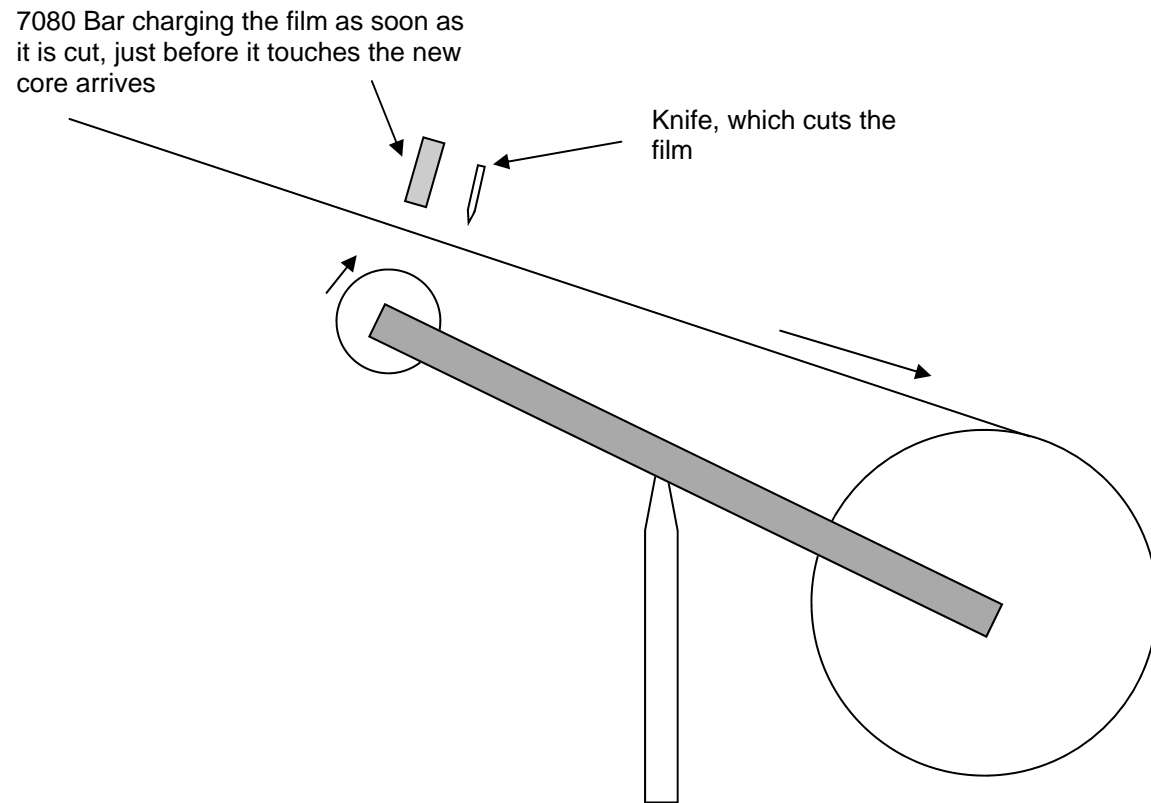


SOLUTIONS TO STATIC PROBLEMS

Static electricity may be used to pin film to a core on turret rewinders and similar designs. A typical installation is shown below. The 7080 Charge Bar is activated to charge the film as it is being cut - so that it sticks to the new core.



Tel: 44 (0) 1398-331114 Fax; 44 (0) 1398-331411

Email: Sales@fraser-antistatic.co.uk

Website: www.fraser-antistatic.co.uk

© Fraser Anti-Static Techniques Ltd 2006

Date: 4-06

File: Generators

STATIC GENERATOR, NON-STOP REWIND

