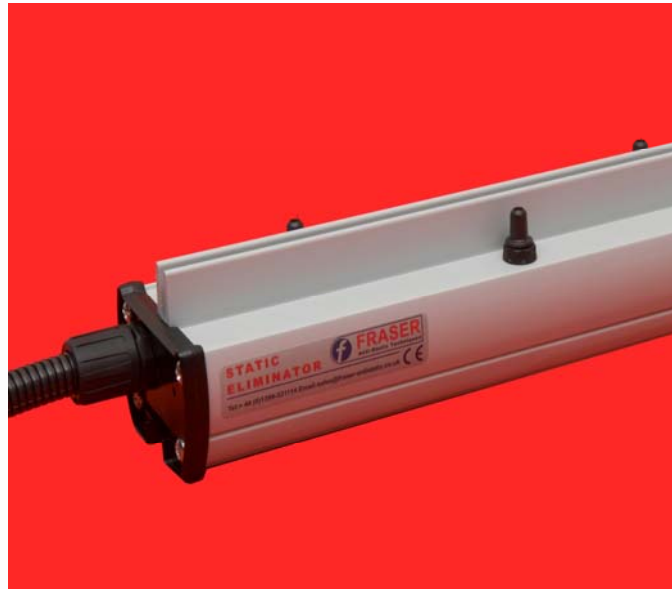


3850-HP IONSTORM

The most powerful version of the Ionstorm long-range Static Eliminator Bar.

IONSTORM uses advanced pulsed DC ionisation technology for static neutralisation at long distances without air assistance.



Benefits and advantages

- The Ionstorm 3850 HP Bar is a variant of the 3850 Bar which has been designed to optimise static neutralisation performance at distances between 200mm and 750mm. For distances over 750mm see standard 3850 Ionstorm Bar.
- It offers market leading performance and the proven reliability of Fraser.
- Fully controllable output with lockable settings.
- Unique, double-wall separation of the positive and negative polarities for reliability and low maintenance.
- Bar lengths to 3m in single structure, but may be joined in series to achieve total lengths of up to 20m.
- Simple to install - mounting brackets slide in slot on underside of Bar.
- Long life tungsten emitters. Replaceable if damaged or worn.

How it works:

The Ionstorm Bar emits positive and negative ions from dedicated emitters. The pulsing action propels the ions towards the object to be neutralised.

The ionised air supplies ions to neutralise the charge in the object. The higher the static charge, the more ions are attracted by the object.

The Ionstorm Bar is powered by a 3700 Ionstorm Controller.

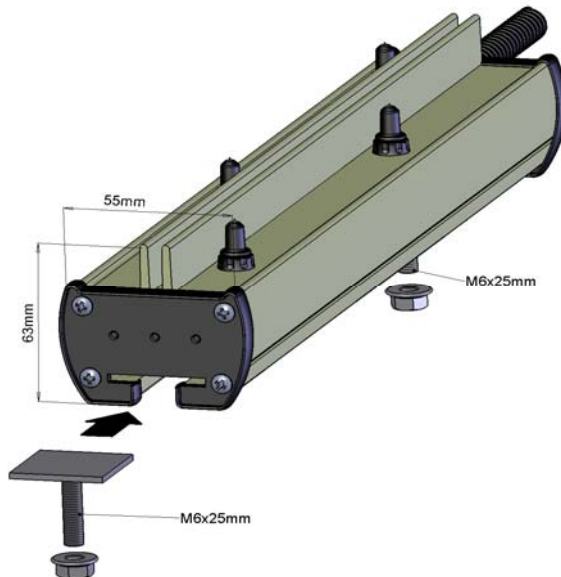


3850 HP Ionstorm Bar and 3700 Controller

Ionstorm Static Elimination is used on winders, mouldings, assembly benches, hoppers - wherever long range static control is required.

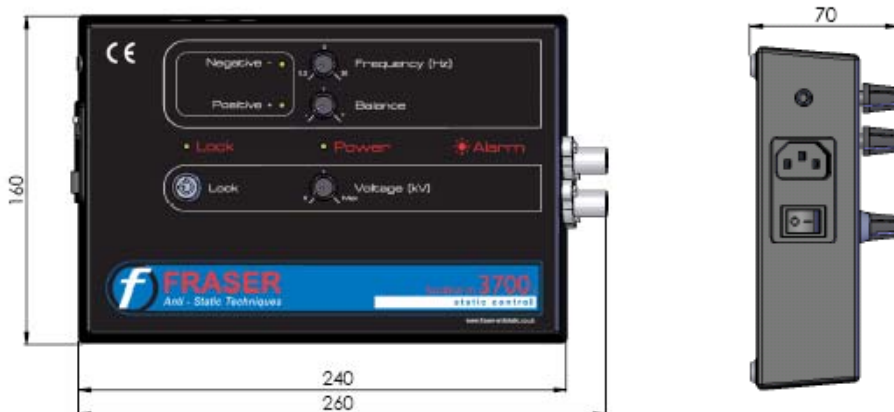
3850HP Ionstorm Bar

Construction:	Rigid easy-to-clean body.
Size:	Length to 3m in one rigid bar. Can be joined together to make bars up to 10m.
Emitters:	Made of tungsten in a F.R.ABS housing. Replaceable if lost or damaged.
Cable:	In a protective nylon conduit, 2m standard. Up to 10m can be specified. Cable clips are supplied.
Connections:	Bayonet connectors for fast connection to Controller. Multiple Bars can be powered by one Controller with use of a connector box.
Mounting:	Adjustable M6 x 25mm "T" pieces in slot. See sketch.
Controller:	Powered by 3700 Controller.



3700 Ionstorm Controller

Range:	Set slow frequency for distances up to 1m, and a faster frequency for closer distances, e.g. 300mm.
Balance:	If the static charge varies, set a balanced output. If the static is constant, the balance can be adjusted 80:20 in each polarity for even better performance.
Power:	Adjustable from 0-14kV. Totally shock proof.
Supply Voltage:	115V 50/60Hz, 230V Hz, 24VDC.
Alarm:	Shows Correct function.
Remote Control:	Available through DIN Connector for on/off and alarm.
Size:	220mm x 180mm x 70mm, including control knobs etc.



Scotts Business Park, Bampton, Devon, GB, EX16 9DN

T + 44 (0) 1398 331114

F + 44 (0) 1398 331411

E sales@fraser-antistatic.co.uk

www.fraser-antistatic.co.uk



No. 961026