

1250-Super 80 Static Eliminator

The 1250-Super 80 Static Eliminator Bar has been designed to give market-leading performance for high static charge and fast speed applications.



Benefits and Advantages

Design

- Resistively coupled design for neutralising high charges at fast speeds.
- Stay-sharp etched emitters for better long term performance.
- Emitters at 15mm pitch which gives the most intense ionisation field.
- Compact and easy to install.
- Operating distances of up to 200mm, (best distance varies with application).
- Washable and suitable for food, medical and pharmaceutical applications.
- Completely shockless in operation, despite high power.
- Specially made high flexibility screened cable, in a polyurethane jacket. It is suitable for the most robust applications in industry, including robot arms - tested with 4 million movements.
- Wide variety of customisation available - 90° cable entry, multiple bars in series.
- Available in lengths up to 6m.
- 2 year guarantee.
- CE and UL certified.

Reliability

- All electronic components are fully encapsulated for maximum reliability.
- Robust construction to ensure a long life of high performance.

Application:

The Super 80 Static Eliminator Bar combines the highest performance with market leading reliability and is the perfect partner for modern high productivity machinery in the plastics, printing and converting industries.



Super 80 : A Summary

Fully encapsulated electrical assembly, for market-leading reliability and safety. Waterproof and so suitable for applications in food and pharmaceuticals, where washdowns are required.

Will not break down in damp conditions.

Easy to clean - no hidden dirt traps.

High performance screened HT cable, rated at 30kV.

High flexibility with bend radius of <20mm. Suitable for routing around intricate machinery.

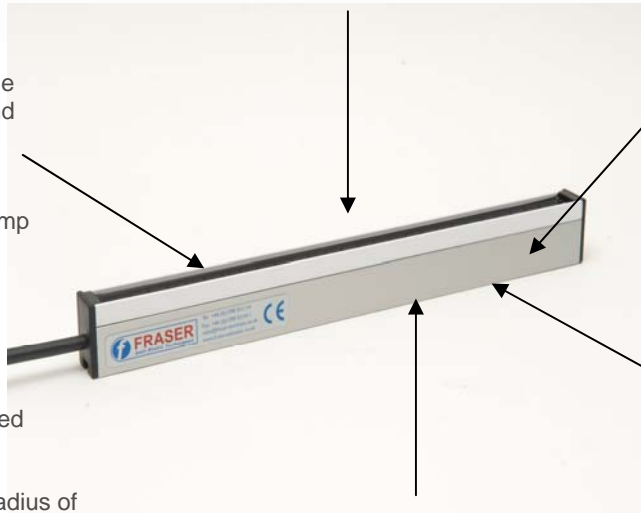
The natural choice for robot arms and moving machinery.

Emitters at 15mm pitch for maximum ionisation intensity and performance.

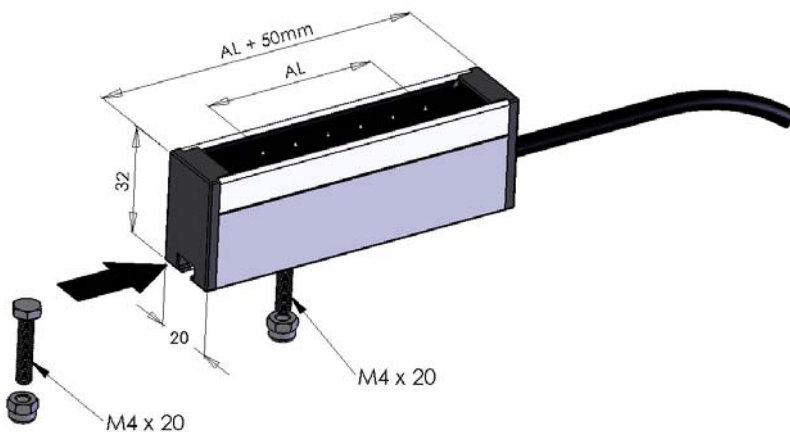
Performance depends on the sharpness of the emitters. The etched "stay sharp" emitters on the 1250 Bar will not blunt, unlike products using conical pins.

Rugged, durable construction for a long life in industrial applications.

Length from 60mm to 6m.



High performance with completely shockless operation.



Cross-section: 32 x 20mm



Length:	From 60mm to 6000mm.
Mounting:	M4 x 20mm hexagon studs in slot.
Cable:	2m of High Flex screened HT cable is standard. Up to 10m can be specified at time of order.
Max. Temperature:	60°C.
Safety:	60mA max emitter current for shockless operation.
Power Unit:	HP Super 80 Power Unit (8kV).
Options:	Bars joined together in series. ATEX Certification for hazardous areas- see EX1250-S. Airboost – for extending the range with a light airflow. Combination with Passive Discharger for speeds over 1000m/m 90° Cable entry.